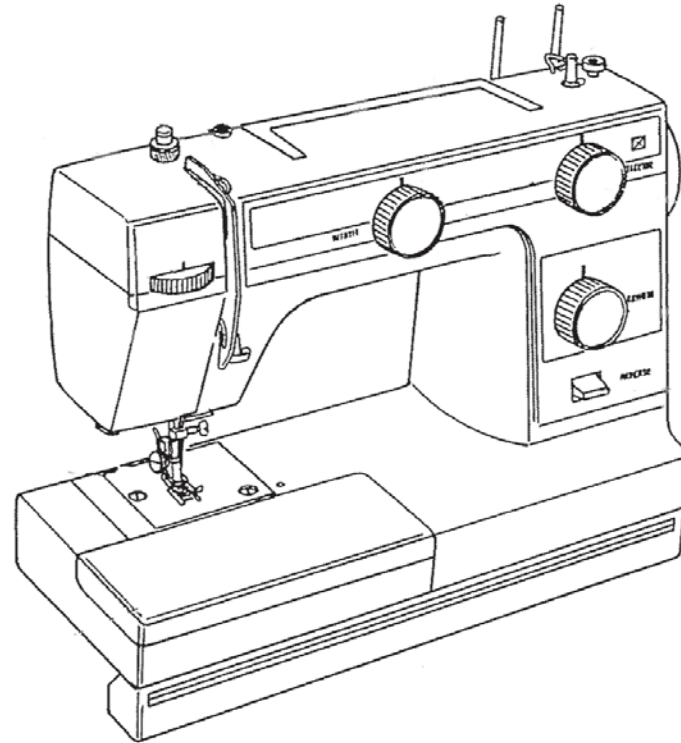


INSTRUCTION BOOK



IMPORTANT SAFETY INSTRUCTIONS

This appliance is not intended for use by persons (including children) with reduced physical, sensory or mental capabilities, or lack of experience and knowledge, unless they have been given supervision or instruction concerning use of the appliance by a person responsible for their safety.

Children should be supervised to ensure that they do not play with this sewing machine.

When using an electrical appliance, basic safety precautions should always be followed, including the following:

This sewing machine is designed and manufactured for household use only.

Read all instructions before using this sewing machine.

DANGER — To reduce the risk of electric shock:

1. An appliance should never be left unattended when plugged in. Always unplug this sewing machine from the electric outlet immediately after using and before cleaning.
2. Always unplug before replacing a sewing machine bulb. Replace bulb with same type rated 15 Watts.

WARNING — To reduce the risk of burns, fire, electric shock, or injury to persons:

1. Do not allow to be used as a toy. Close attention is necessary when this sewing machine is used by or near children.
2. Use this appliance only for its intended use as described in this owner's manual.
Use only attachments recommended by the manufacturer as contained in this owner's manual.
3. Never operate this sewing machine if it has a damaged cord or plug, if it is not working properly, if it has been dropped or damaged, or dropped into water.
Return this sewing machine to the nearest authorized dealer or service center for examination, repair, electrical or mechanical adjustment.
4. Never operate the appliance with any air opening blocked. Keep ventilation openings of this sewing machine and foot controller free from accumulation of lint, dust and loose cloth.
5. Never drop or insert any object into any opening.
6. Do not use outdoors.
7. Do not operate where aerosol (spray) products are being used or where oxygen is being administered.
8. To disconnect, turn all controls to the off ("O") position, then remove plug from outlet.
9. Do not unplug by pulling on cord. To unplug, grasp the plug, not the cord.
10. Keep fingers away from all moving parts. Special care is required around the sewing machine needle and/or cutting blade.
11. Always use the proper needle plate. The wrong plate can cause the needle to break.
12. Do not use bent needles.
13. Do not pull or push fabric while stitching. It may deflect the needle causing it to break.
14. Switch this sewing machine off ("O") when making any adjustment in the needle area, such as threading the needle, changing the needle, threading the bobbin or changing the presser foot, and the like.
15. Always unplug this sewing machine from the electrical outlet when removing covers, lubricating, or when making any other adjustments mentioned in this owner's manual.

SAVE THESE INSTRUCTIONS

TABLE OF CONTENTS

SECTION I ESSENTIAL PARTS

Names of Parts	2~3
----------------------	-----

SECTION II GETTING READY TO SEW

Connecting the Machine to the Power Supply	6
Foot Control	7
Sewing Light	7
Extension Table (Accessory Box)	8
Pressure Regulator	9
Dropping the Feed Dogs	10
To Snap On and Snap Off the Presser Foot	11
Changing Needles	12
Thread and Needle Chart	13
Removing or Inserting the Bobbin Case	14
Winding the Bobbin	15
Threading Bobbin Case	16
Threading the Machine	17
Drawing Up Bobbin Thread	18
Balancing Needle Thread Tension	19
Zigzag Width Dial	20
Pattern Selector Dial	20
Stitch Length Dial	20

SECTION III BASIC SEWING

Straight Stitch Sewing	21
Changing the Sewing Directions	22
Zigzag Stitching	22

SECTION IV UTILITY STITCHING

Overcasting	23
Overedge Stitch	23
Tricot Stitch	24
Triple Strength Stitch	24
Buttonhole Stitching	25~26
Sewing Buttons	27
Zipper Application	28
Blind Stitch Hemming	29
Rolled Hem	31
Fagoting Stitch	31
Box Stitching	31
Elastic Stretch Stitch	32

SECTION V DECORATIVE STITCHING

Shell Tuck	32
Feather Stitch	33
Decorative Satin Stitch Patterns	34
Stretch Stitch Patterns	34

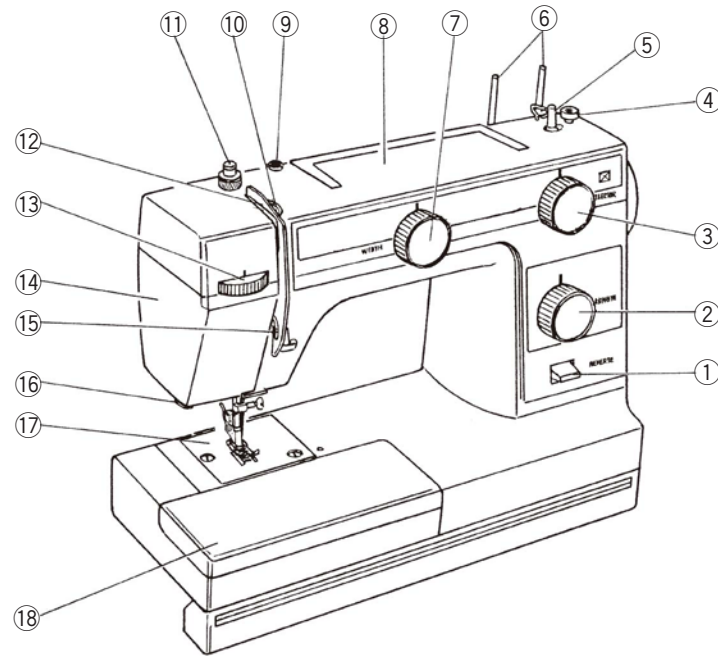
SECTION VI CARE OF YOUR MACHINE

Dismantling and Assembling Hook Race	35
Cleaning the Feed Dogs	36
Oiling the Machine	37
Trouble Shooting	38~39

ESSENTIAL PARTS

Names of Parts

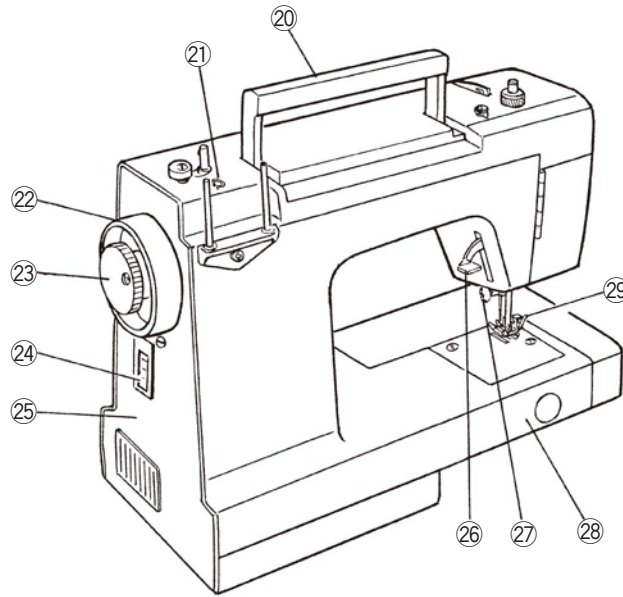
- ① Reverse stitch lever
- ② Stitch length dial
- ③ Pattern selector dial
- ④ Bobbin winder stopper
- ⑤ Bobbin winder spindle
- ⑥ Spool pins
- ⑦ Zigzag width dial
- ⑧ Top cover
- ⑨ Bobbin winder thread guide
- ⑩ Thread take-up lever
- ⑪ Pressure regulator
- ⑫ Thread guide
- ⑬ Thread tension dial
- ⑭ Face plate
- ⑮ Check spring holder
- ⑯ Thread cutter
- ⑰ Needle plate
- ⑱ Extension table
(Accessory storage box)
- ⑲ Slide plate



The design and specifications are subject to change without a prior notice.



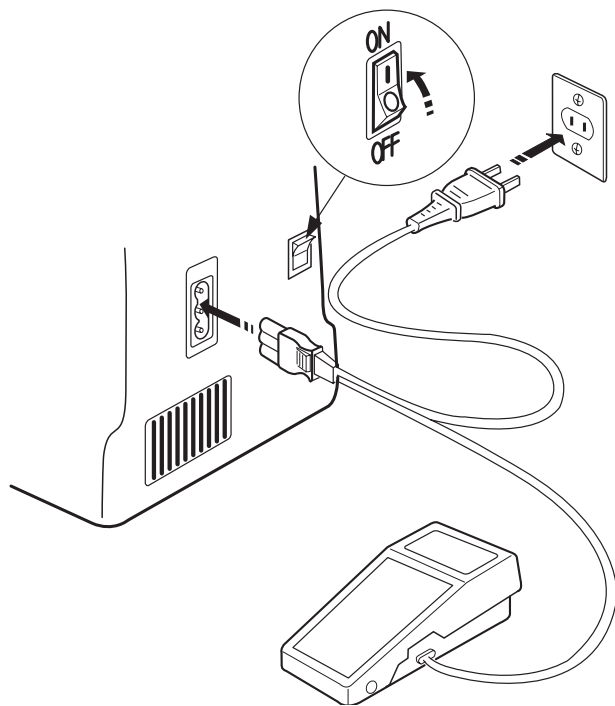
Please note that on disposal, this product must be safely recycled in accordance with relevant National legislation relating to electrical/electronic products. If in doubt please contact your retailer for guidance. (European Union only)



- ②0 Carrying handle
- ②1 Thread guide
- ②2 Handwheel
- ②3 Stop motion knob
- ②4 Machine socket
- ②5 Belt cover
- ②6 Presser foot lifter
- ②7 Needle clamp screw
- ②8 Free arm
- ②9 Presser foot

GETTING READY TO SEW

Connecting the Machine to the Power Supply



Before connecting the power, make sure the voltage and number of cycles of the machine conform to your electrical power.

Turn the power switch off.

Fit the nonreversible plug into the machine socket and plug the machine into the power supply.

Turn the power switch on.

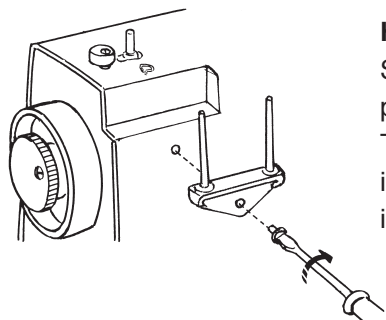
Operating instructions:

The symbol “O” of a switch indicates the “off” position of the switch.

To reduce the risk of electrical shock, this plug is intended to fit in a polarized outlet only one way.

If it does not fit fully in the outlet, reverse the plug. If it does not fit, contact a qualified electrician to install the proper outlet. Do not modify the plug in any way.

The foot controller Model YC-482J-EC or TJC-150 is used with this sewing machines.

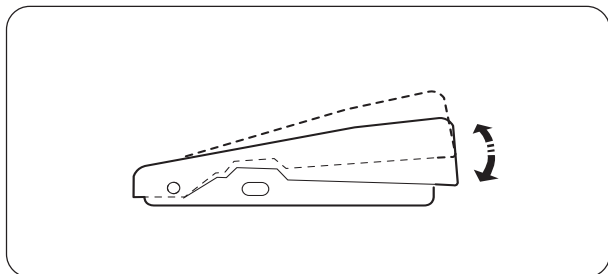


How to set the spool pins

Spool pins are separately packed to prevent any damage in transit.

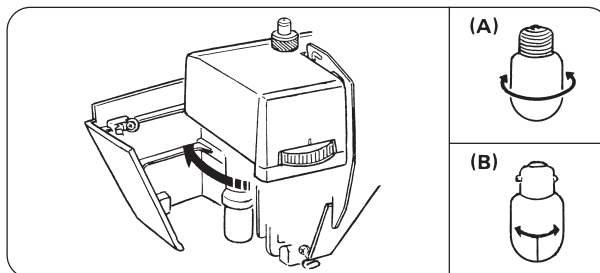
Therefore, fix the holder of spool pins in place with a screwdriver, as shown in the figure.

Foot Control



Sewing speed can be varied by the foot control. The harder you press on the control, the faster the machine runs.

Sewing Light



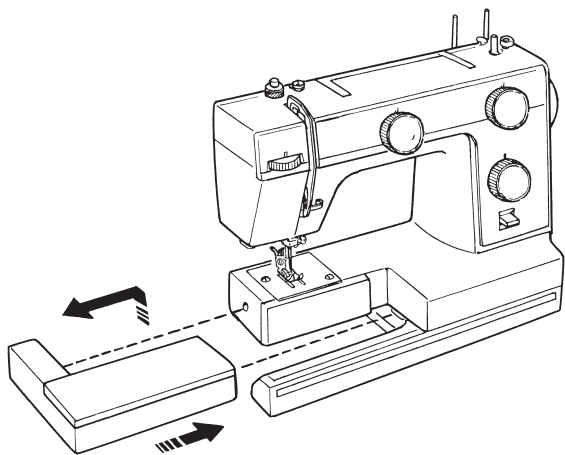
Turn the power switch off before relamping. The sewing light is located behind the face plate.

- (A) • To remove... Unscrew
- To replace... Screw
- (B) • To remove... Push and twist counter-clockwise
- To replace... Push and twist clockwise

Extension Table (Accessory Box)

Extension Table

The extension table provides added sewing surface and can be easily removed for free arm sewing.



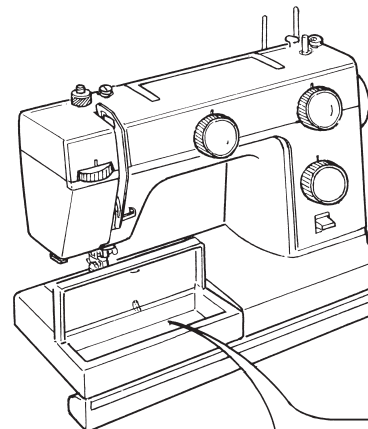
For free arm sewing

Pull the end of the extension table away from the machine, as illustrated.

For attaching the table

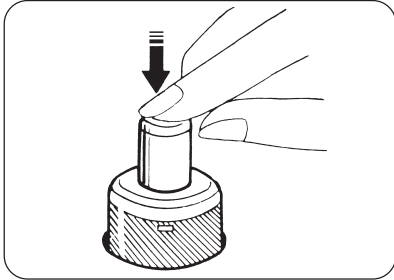
Push the extension table until its lugs fit into the machine.

Accessory Storage Box

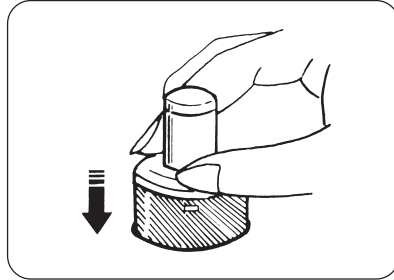


- Sewing accessories are conveniently located under the extension table.

Pressure Regulator



To increase pressure, push down the pressure regulator button until suitable pressure is obtained.



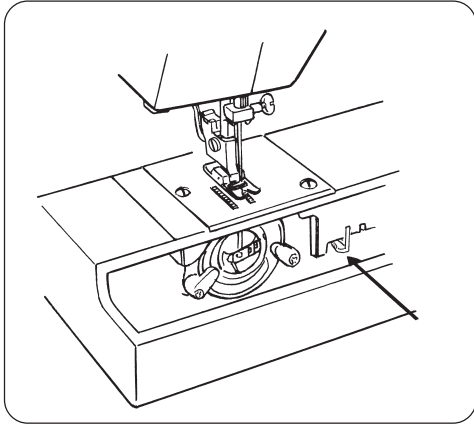
To release pressure, push down the ring, then the button will spring up to its highest position.

Setting Position

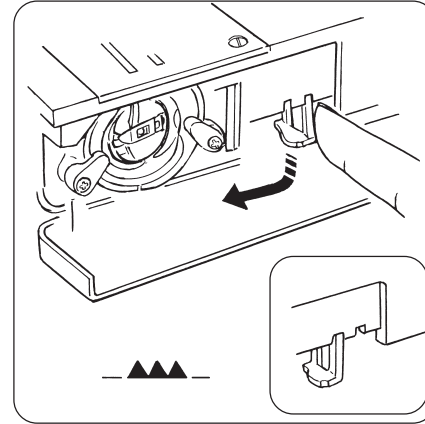
The top of button should normally be pushed down to about 3/4 position from its highest position, except for the following:

- Set the top of button at 1/4 position from its highest position for sewing delicate synthetic fabrics and knitted fabrics which tend to stretch out of shape.
- Set the top of button at the depressed position to the bottom for thick and heavier fabrics.

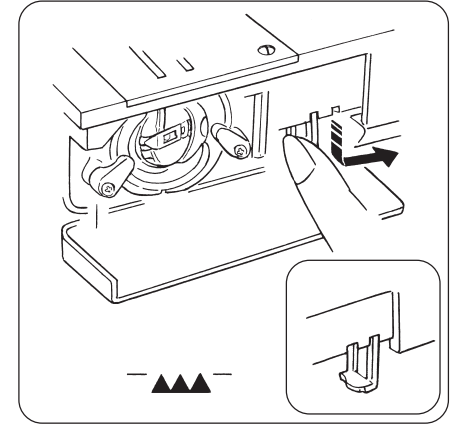
Dropping the Feed Dogs



The drop feed lever is located in the hook area.



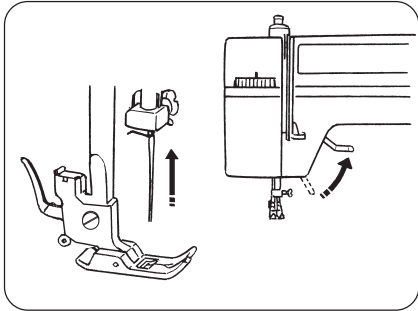
To raise the feed dogs, press down the lever and move it to the direction of arrow as illustrated.



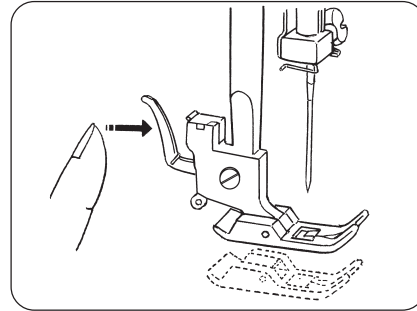
For dropping the feed dogs, press down the lever and move it to the direction of arrow as illustrated.

To Snap On and Snap Off the Presser Foot

To snap off

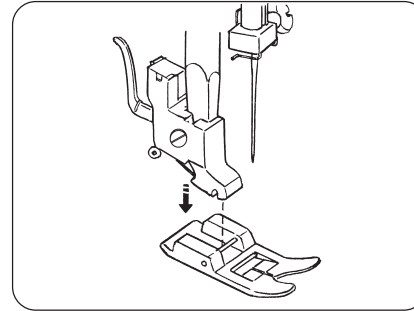


Turn the power switch off.
Turn the handwheel toward you to raise the needle to its highest position. Raise the presser foot.



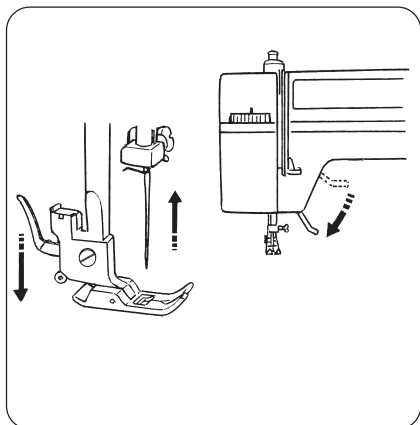
Press the lever on the back of the foot holder.
The presser foot will drop off.

To snap on

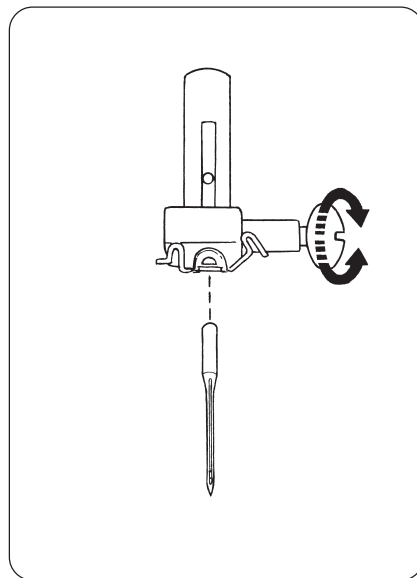


When attaching the presser foot, set the pressure regulator button at the depressed position to the bottom. Place the presser foot so the pin on the foot lies just under the groove of the foot holder. Lower the foot holder to lock the foot in place.

Changing Needles



Turn the power switch off.
Raise the needle by turning the handwheel toward you and lower the presser foot.



Loosen the needle clamp screw by turning it toward you.

Remove the needle from the clamp.

Insert the new needle into the needle clamp with the flat side away from you.

When inserting the needle into the clamp, push it up as far as it will go and tighten the clamp screw firmly with the screwdriver.

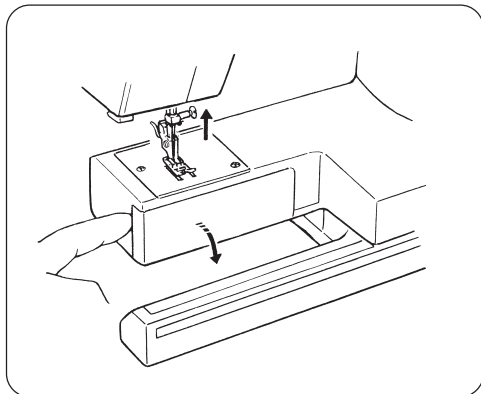
* Check your needles frequently for barbed or blunted points. Snags and run in knits, fine silk and silk-like fabrics are permanent and almost always caused by a damaged needle.

Thread and Needle Chart

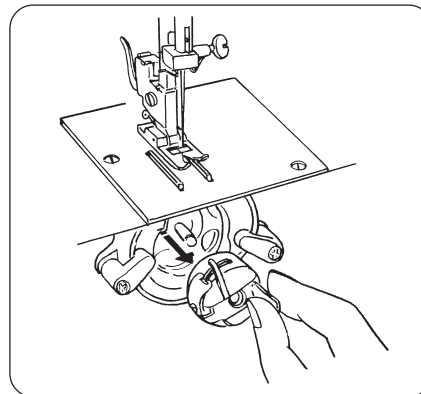
	Fabrics	Threads	Needle Size
Light weight	Crepe de Chine, Vile	Fine silk	9
	Lawn, Organdy, Georgette, Tricot	Fine Cotton Fine Synthetic Fine Cotton Covered Polyester	or 11
Medium weight	Linens, Cotton, Pique,	50 silk	11
	Serge, Double Knits, Percale	50 to 80 Cotton 50 to 60 Synthetic Cotton Covered Polyester	or 14
Heavy weight	Denim, Tweed, Gabardine,	50 silk	14
	Coating, Drapery and Upholstery Fabric	40 to 50 Cotton 40 to 50 Synthetic Cotton Covered Polyester	or 16

- * In general, fine thread and needles are used for sewing thin fabrics, and thicker threads and needles are used for sewing heavy fabrics. Always test thread and needle size on a small piece of fabric which will be used for actual sewing.
- * Use the same thread for needle and bobbin.
- * When sewing stretch, very fine fabrics and synthetics, use a BLUE TIPPED needle. The blue tipped needle effectively prevents skipped stitches.
- * When sewing very fine fabrics, sew over a piece of paper to prevent yarn distortion.

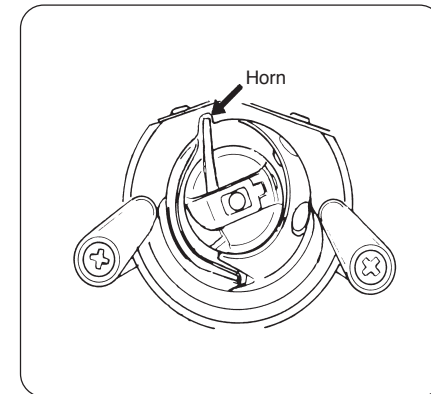
Removing or Inserting the Bobbin Case



Turn the power switch off.
Open the hook cover or the slide plate.

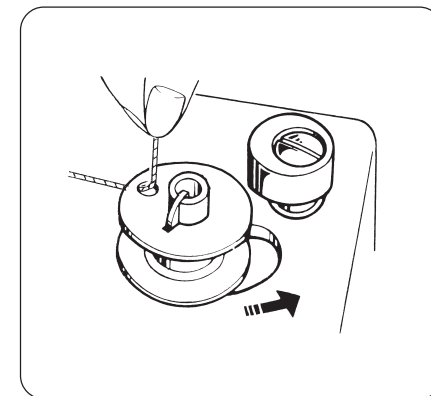
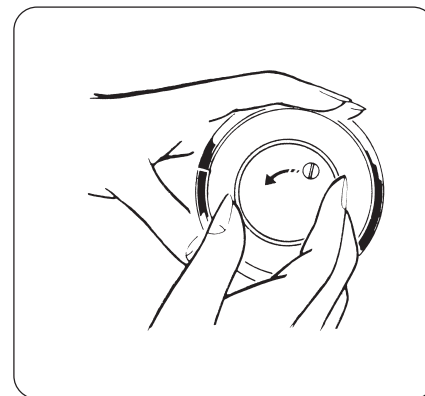
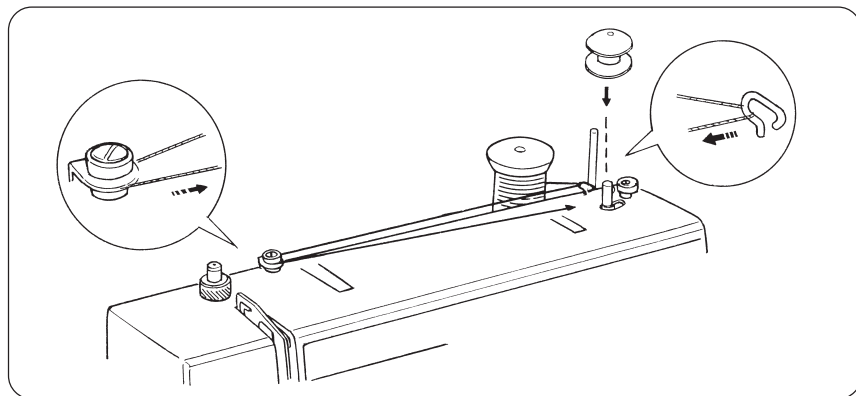


Raise the needle by turning the
handwheel toward you.
Take out the bobbin case by holding
the latch.



When inserting the bobbin case,
place the horn into the recess of the
hook race.

Winding the Bobbin



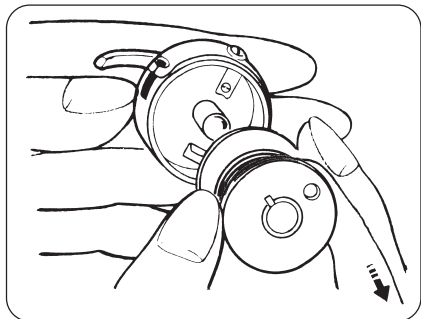
Draw thread from spool. Pass the thread through the top cover thread guide. Guide the thread around the bobbin winder thread guide. Insert the thread through the hole in the bobbin, threading from the inside to the outside. Put the bobbin on the bobbin winder spindle, and push it to the right.

While holding the handwheel with your left hand, turn the stop motion knob toward you with the right hand.

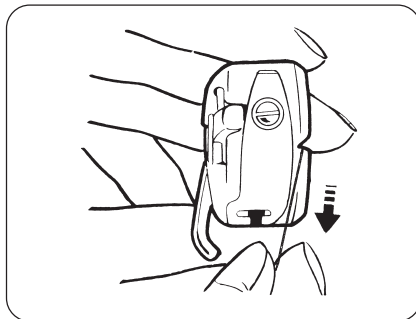
With the free end of the thread held in your hand, depress the foot control. Stop the machine when it has made a few turns, and cut the thread close to the hole in the bobbin. Depress the foot control again. When the bobbin is fully wound, it will stop automatically.

Return the bobbin winder to its original position by moving the spindle to the left, and cut the thread. Tighten the stop motion knob to engage clutch.

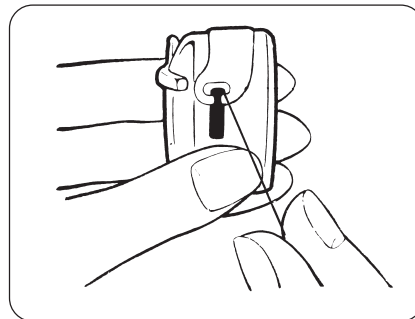
Threading Bobbin Case



① Place bobbin into the bobbin case. Make sure the thread unwinds in the direction of arrow.



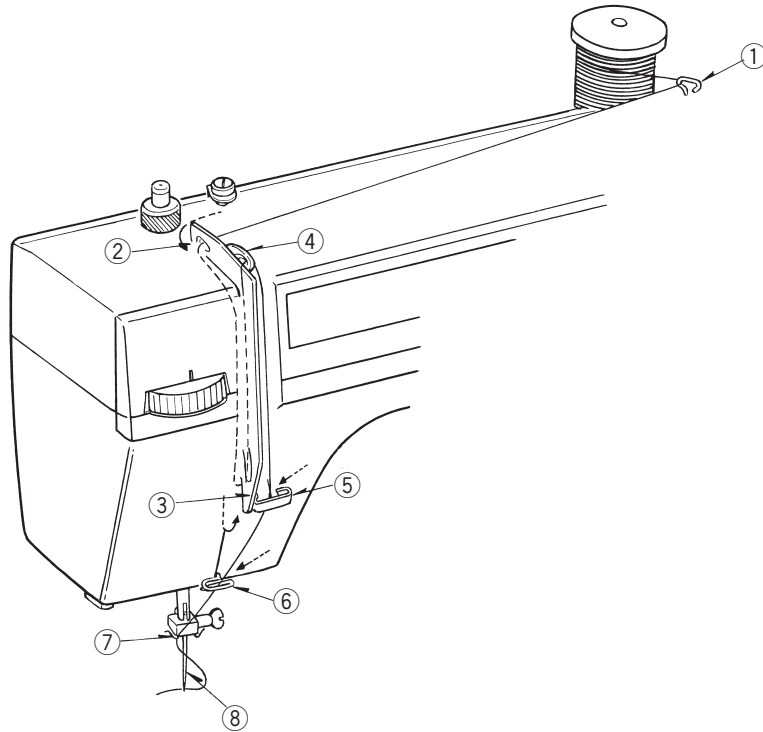
② Pull thread into bobbin case slot.



③ Draw the thread under the thread tension spring and into the delivery eye.

* Leave about 10 cm (4 inches) of free thread.

Threading the Machine



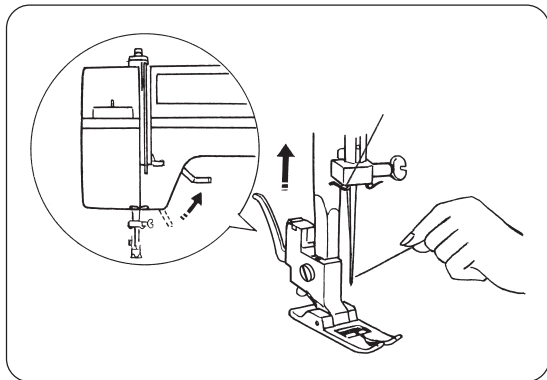
Turn the power switch off.

Raise the thread take-up lever to the highest point by turning the handwheel towards you.

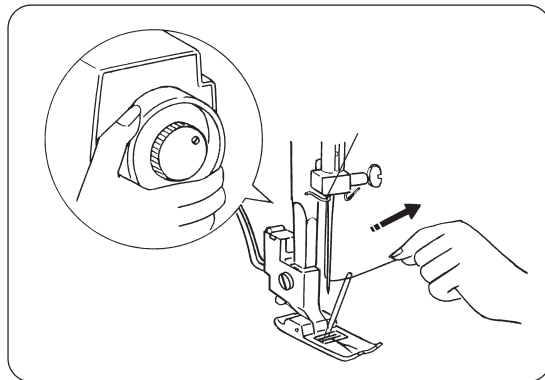
Raise the presser foot with presser foot lifter and pass the thread in the order from ① to ⑧.

- ① Pass the thread through the top cover thread guide.
- ② Draw the thread around the thread guide and down into the tension.
- ③ Then down around the check spring holder.
- ④ Firmly draw the thread from left to right over the take-up lever and down into the take-up lever eye.
- ⑤⑥ Then down through the lower thread guide.
- ⑦ Slide the thread behind the needle bar thread guide on the left.
- ⑧ Thread the needle from front to back.

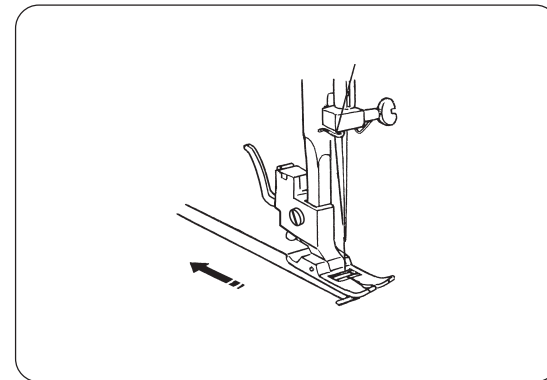
Drawing up Bobbin Thread



- ① Raise the presser foot and hold the needle thread lightly with your hand.

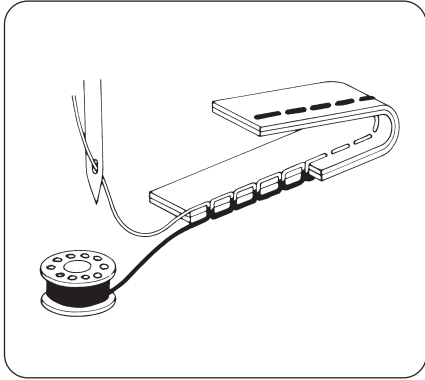


- ② Turn the handwheel slowly towards you with your right hand until the needle goes down and continue turning the handwheel until the take-up lever is at its highest position. Lightly draw up the needle thread forming a loop of the bobbin thread.

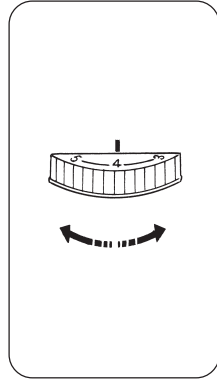


- ③ Pull 15 cm (6 inches) of both threads back and under the presser foot.

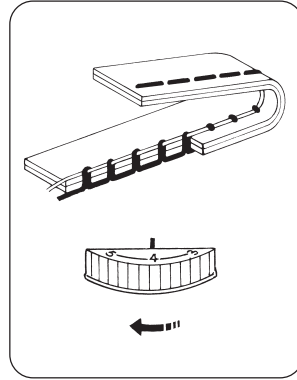
Balancing Needle Thread Tension



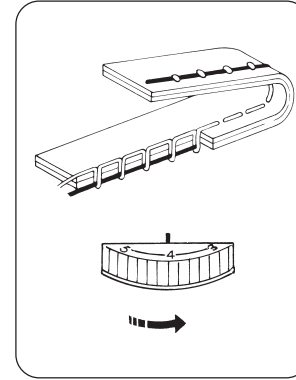
The needle thread and the bobbin thread should interlock in the center of two layers of fabric in straight seams.



Set the desired number of the thread tension dial at setting mark.

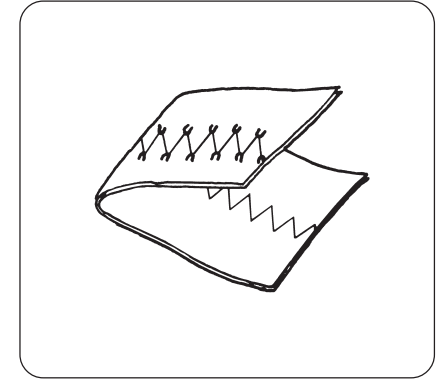


Loosen the needle thread tension by moving the dial to a lower number.



Tighten the needle thread tension by moving the dial to a higher number.

Thread Tension for Zigzag Sewing

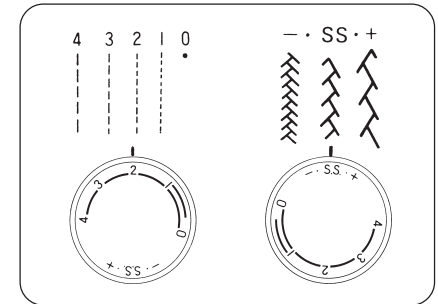
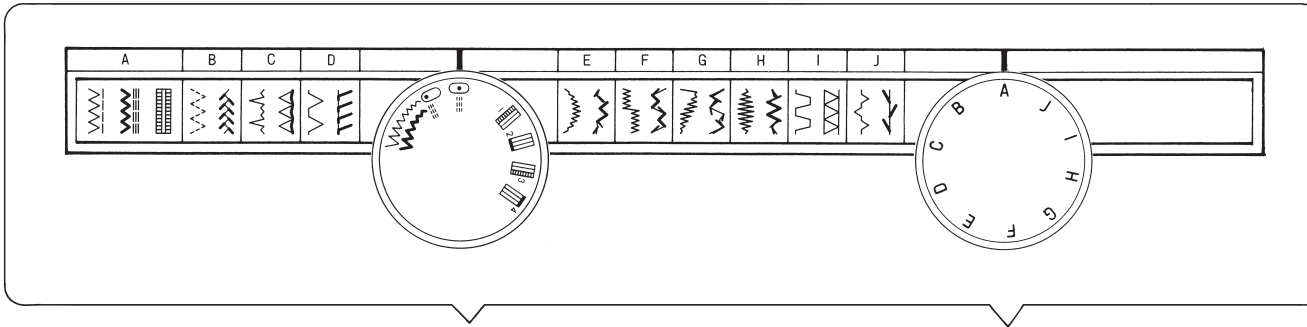




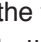
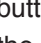
To obtain better zigzag stitches, the upper tension should be slightly weaker than in the case of straight sewing. The upper thread should appear slightly on the reverse side of the fabric.

Zigzag Width Dial

Pattern Selector Dial

Stitch Length Dial



The stitch width for the zigzag stitches ( and ), the two needle positions (center and left) for the straight stitch and the triple strength stitch ( and ) and buttonhole stitching can be selected with the zigzag width dial.

Select the desired pattern at the setting mark by turning the pattern selector dial.

The higher the number, the longer the stitch length. You can select the suitable stitch length for most fabrics.

Selecting Stretch stitch Patterns ( ,  ,  ,  ,  ,  ,  ,  ,  ,  , )

When sewing stretch stitch, set the stitch length dial at “S.S.”. When forward and reverse feeds become unbalanced depending upon the type of fabric, correct the balance as follows:

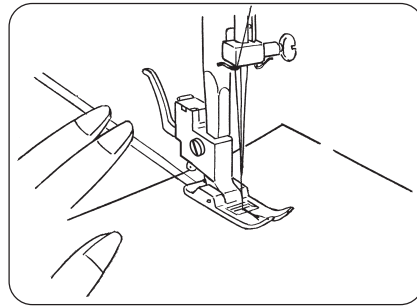
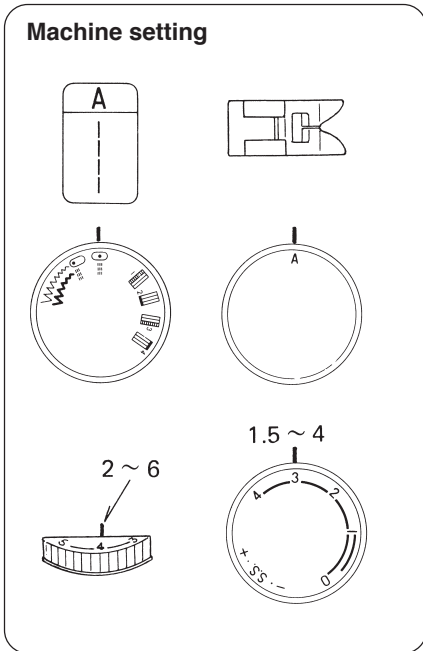
When patterns are compressed, correct it by turning the dial toward “+”.

When patterns are drawn out, correct it by turning the dial toward “-”.

* Raise the needle above the fabrics and presser foot when you turn the pattern selector dial and zigzag width dial.

BASIC SEWING

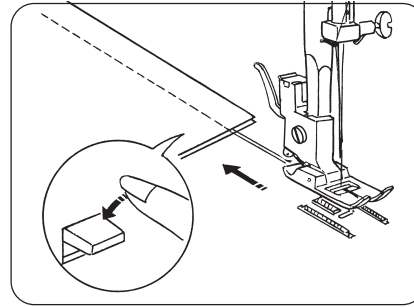
Straight Stitch Sewing



Raise the presser foot and position the fabric next to a stitching guide line on the needle plate.

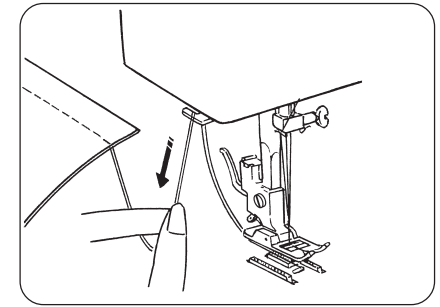
Lower the presser foot and smooth the threads toward the back. Depress the foot control.

Gently guide the fabric along the guide line letting the fabric feed naturally.



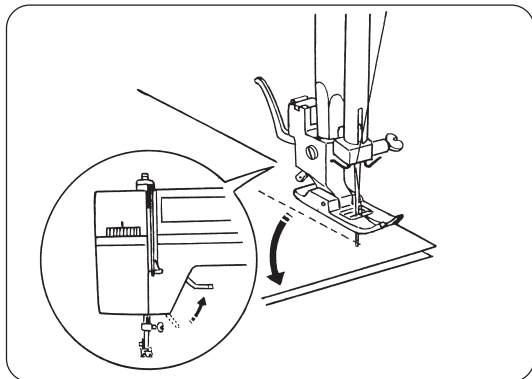
For fastening the ends of seams, press the reverse lever and sew several reverse stitches.

Raise the presser foot and remove the fabric, drawing the threads to the back.



The threads are cut the proper length for starting the next seam.

Changing the Sewing Directions

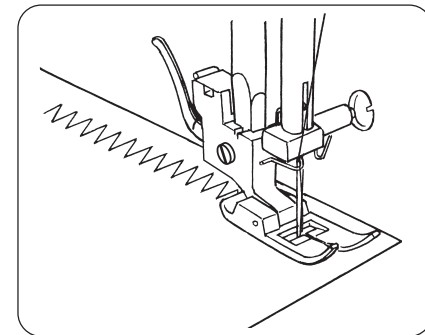
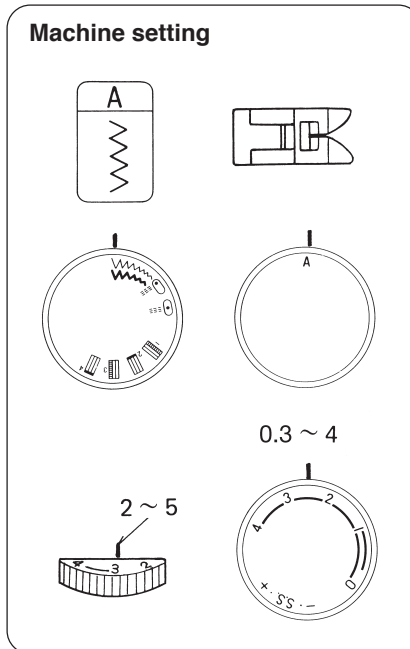


Stop the machine and turn the handwheel toward you to bring the needle down into the fabrics.

Raise the presser foot.

Pivot the fabric around the needle to change sewing direction as desired. Lower the presser foot.

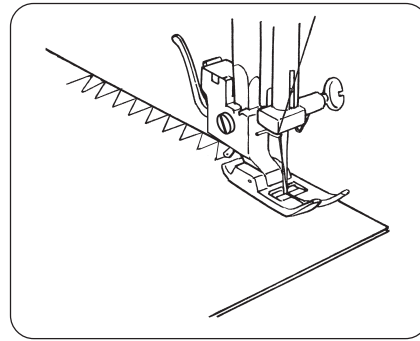
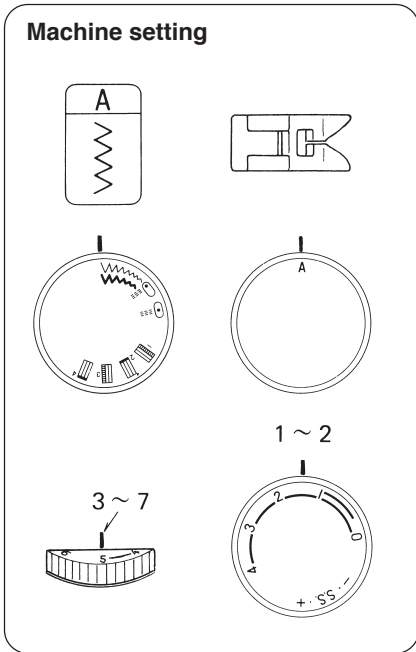
Zigzag Stitching



Simple zigzag stitching is widely used for overcasting, sewing on buttons etc.

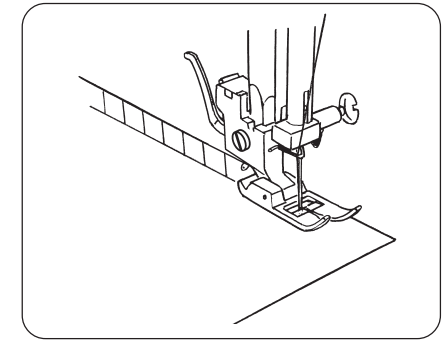
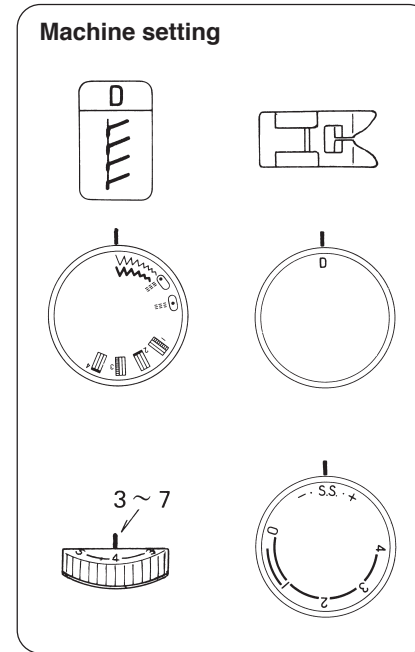
UTILITY STITCHING

Overcasting



This type of stitch is used on the seam allowance to prevent fabrics from fraying at raw edges. It can be used to finish a hem edge.

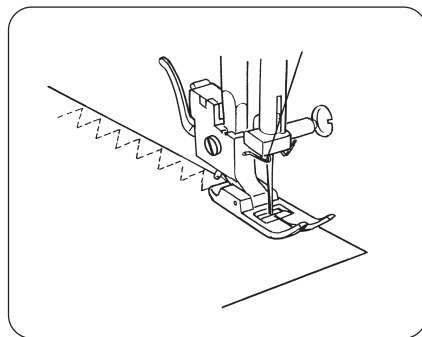
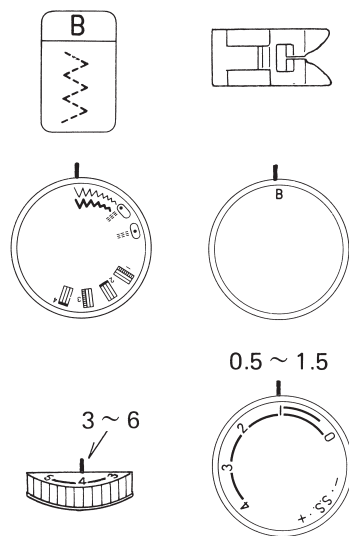
Overedge Stitch



Overedge stitch will be done most successfully when the right side stitches of zigzag fall slightly off the edge of the cloth.

Tricot Stitch

Machine setting

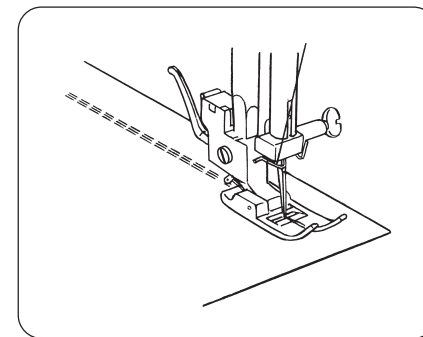
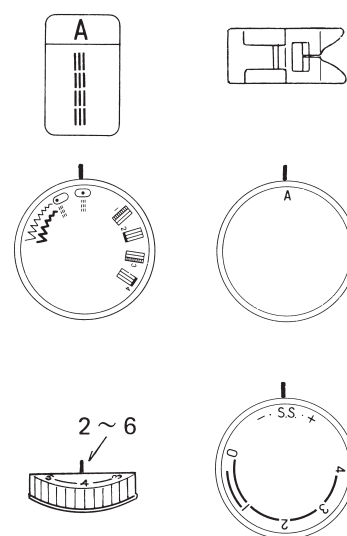


Place the fabric under the presser foot so that the edge will be slightly inside the right hand side of the presser foot.

Guide the work so the right hand stitches fall at the edge of the fabric.

Triple Strength Stitch

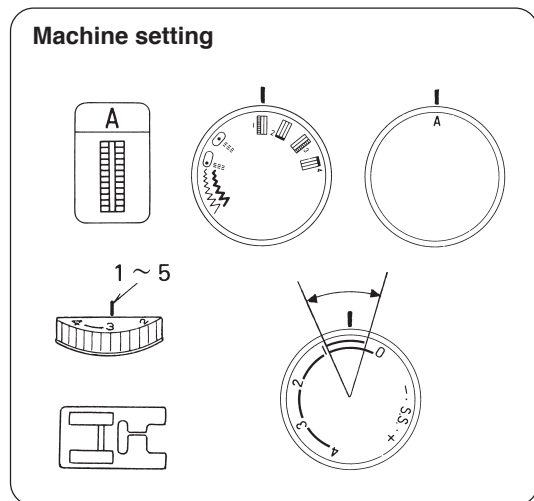
Machine setting



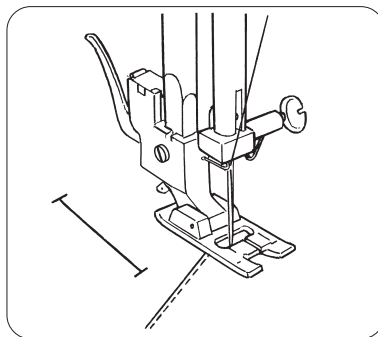
The stitch is sewn with two stitches forward and one stitch backward forming a seam that does not rip easily.


Garments should be basted for fitting before seaming.

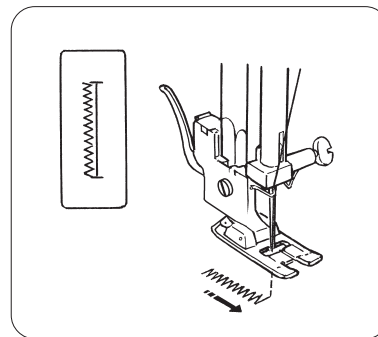
Buttonhole Stitching



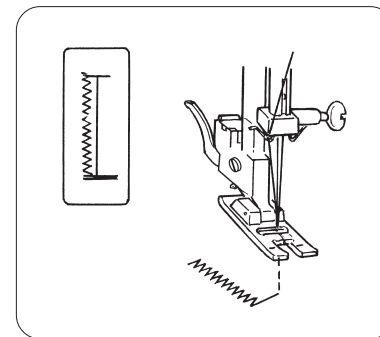
Make a test buttonhole and a sample duplicating the fabric, interfacing and seams of the actual garment. Place the button on the fabric sample and mark the top and bottom to determine the buttonhole length.




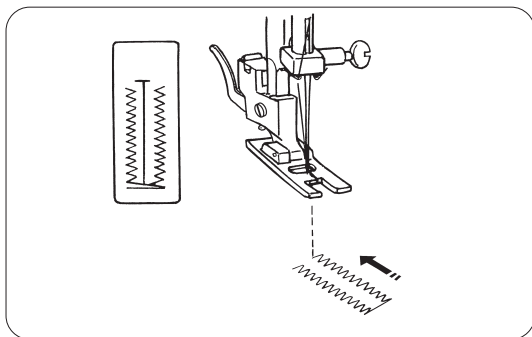
Set the zigzag width dial at “”. Slide both threads to the left. Lower the needle into the garment where the buttonhole is to start, and lower the foot.



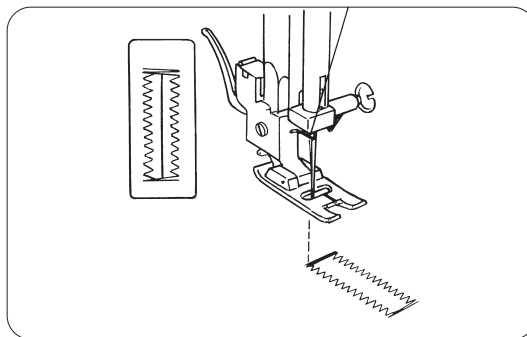
Sew down the left side stopping at the bottom mark. Raise the needle.



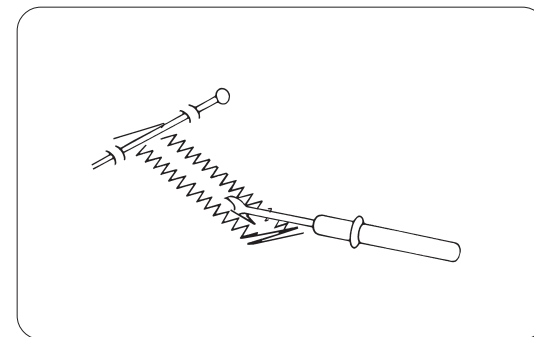
Set the zigzag width dial at “”, sew 5 stitches of bartack and raise the needle from the fabric.



Set the zigzag width dial at “ 3 ”.
Sew up the right side of the buttonhole. Stop the machine when you are directly opposite the first stitch on the left hand side and raise the needle.

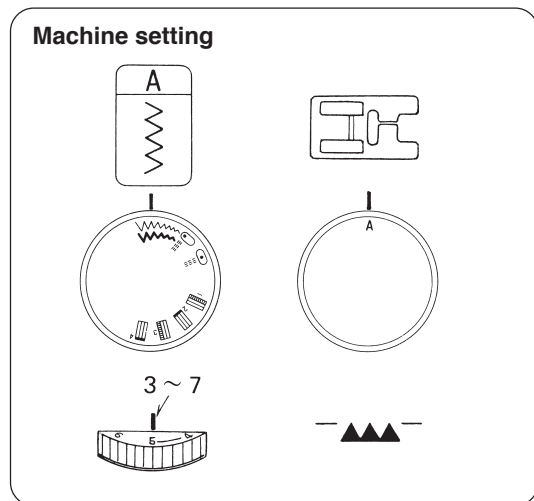


Set the zigzag width dial at “ 4 ”.
Sew a few bartacks and raise the needle from the fabric.



Remove the fabric from the machine and cut the sewing threads.
Insert a pin inside the bartack.
Then cut the opening with a seam ripper.
Take care not to cut the stitches.

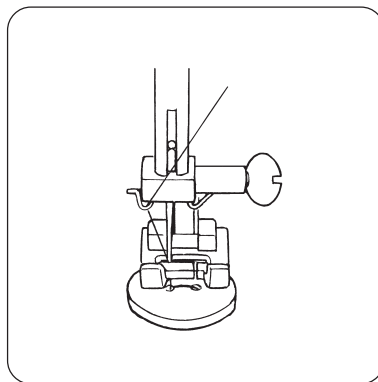
Sewing Buttons





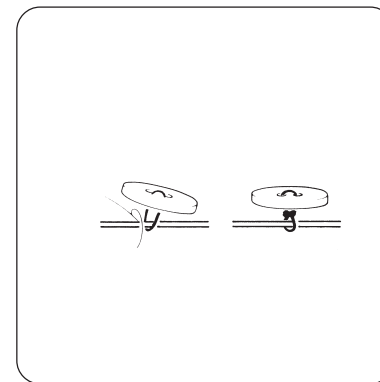
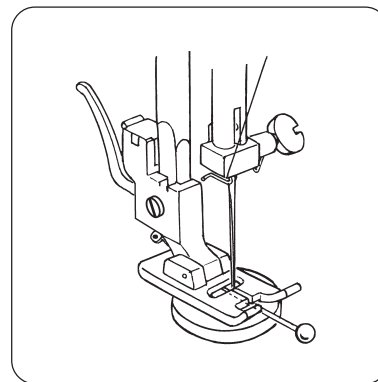
Tape the button over the placement mark.

A pin can be placed on top of the foot to form a shank.

Press down the drop feed lever and move it to the right for dropping the feed dogs.



Set the zigzag width dial at “”. Align the both holes of the button with the slot of the foot and place the left hole of the button just below the needle point. Lower the foot and turn the pattern selector until the needle point comes just above the right hole of the button. Sew about five stitches and raise the needle. Set the zigzag width dial at “” again and sew a few stitches to lock thread.

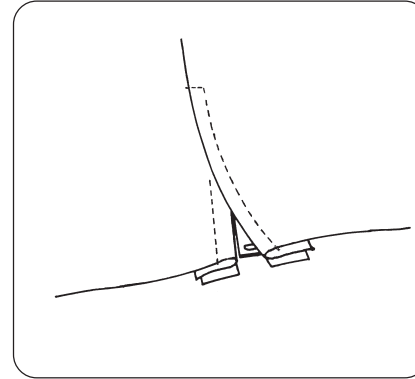
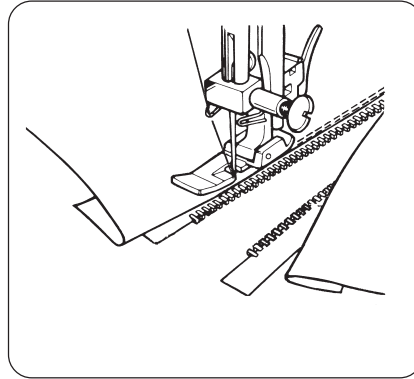
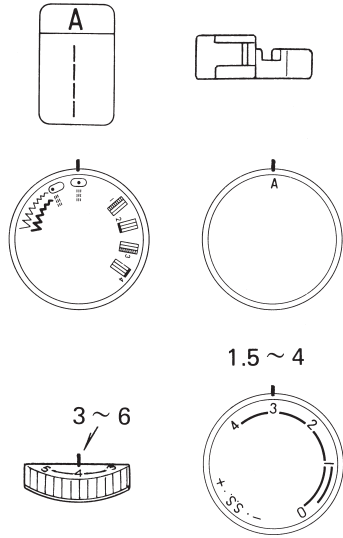


To strengthen the shank, cut the threads leaving a 20 cm (8”) tail. Bring the needle thread down through the hole in the button and wind it around the shank.

Draw the thread to the wrong side and knot.

Zipper Application

Machine setting



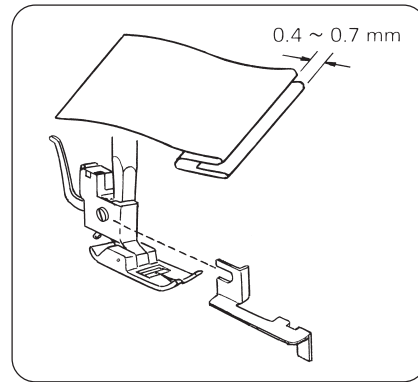
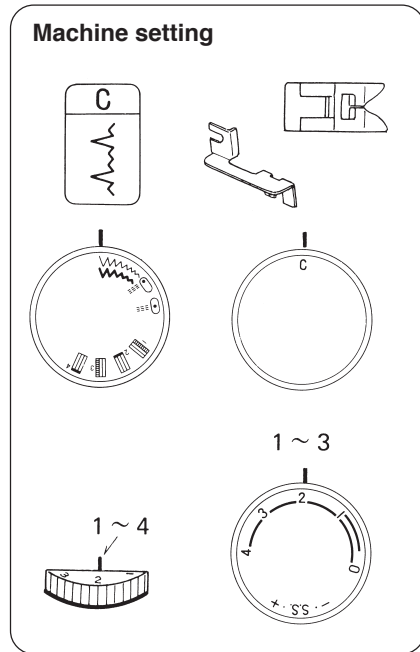
Pin or baste zipper tape to fabric and place it under the foot.

Smooth the threads toward the back and lower the foot.

To sew left side of the zipper, guide the edge of the zipper along the zipper teeth and stitch through garment and zipper tape.

Turn the fabric and sew the other side of the zipper in the same way as you did on the left side of the zipper.

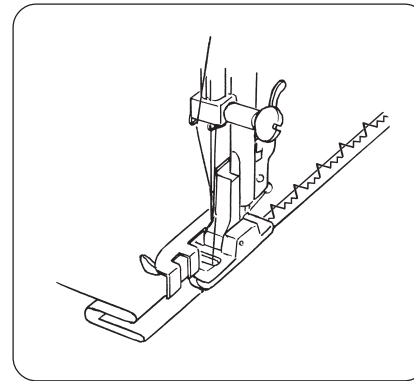
Blind Stitch Hemming



Fold up the desired amount and pin in place. Then fold the hem under the fabric as illustrated.

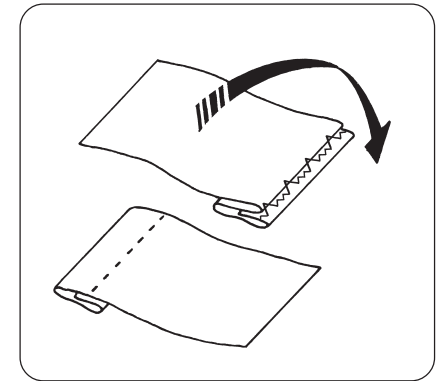
Turn the power switch off. Lower the presser foot, then loosen the foot holder screw to place the hem guide between the screw and the shank of foot holder.

Tighten the screw making sure the wall of hem guide is placed in the middle of the toes of the presser foot. Turn the power switch on.



Raise the presser foot and place the fabric under the foot so that the soft fold rests against the wall of hem guide.

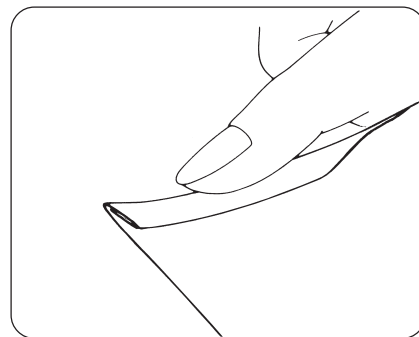
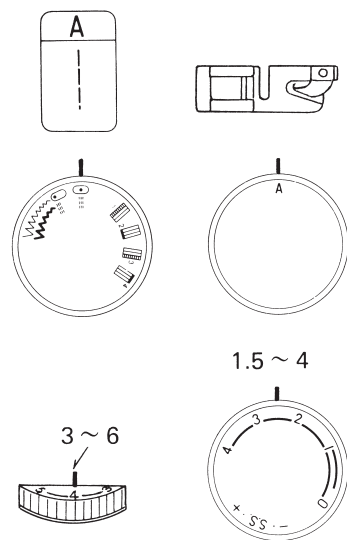
Lower the foot then stitch slowly for better control so that the narrow zigzag stitches fall on the hem allowance and the wider zigzag stitches pierce the soft fold. While sewing, make sure the soft fold runs along the wall of hem guide.



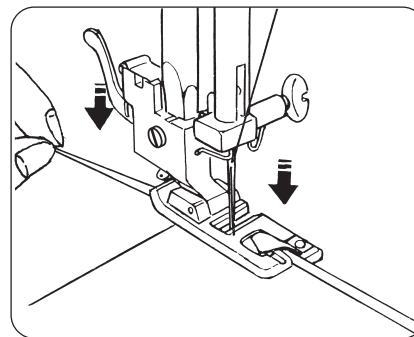
Spread the fabric flat with the right side facing up.

Rolled Hem

Machine setting

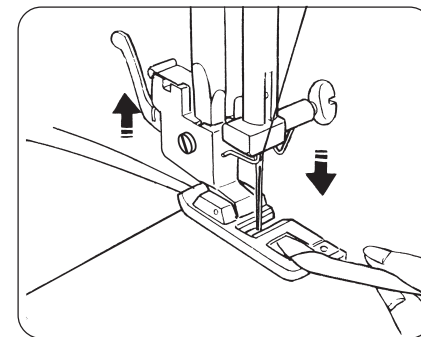


Make a double 0.25 cm (1/8") fold approximately 8 cm (3") in length

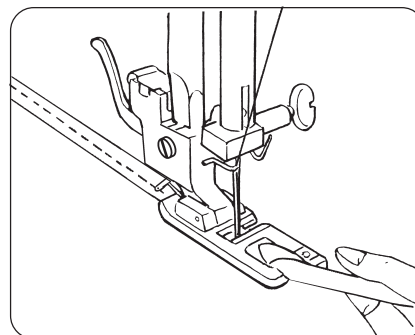


Lower the needle into the fabric at the point where sewing is to begin, then lower the hemmer foot.

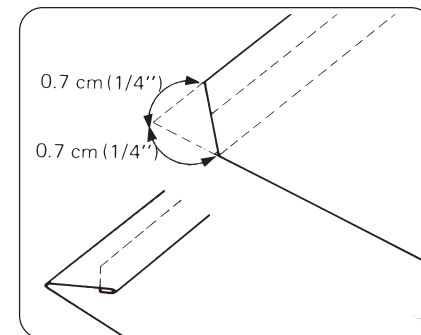
Sew 3 or 4 stitches while holding the needle and bobbin threads.



Lower the needle into the fabric and lift the hemmer foot. Insert the folded portion of the fabric into the curl of the hemmer foot.

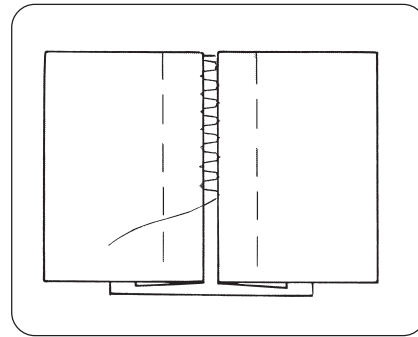
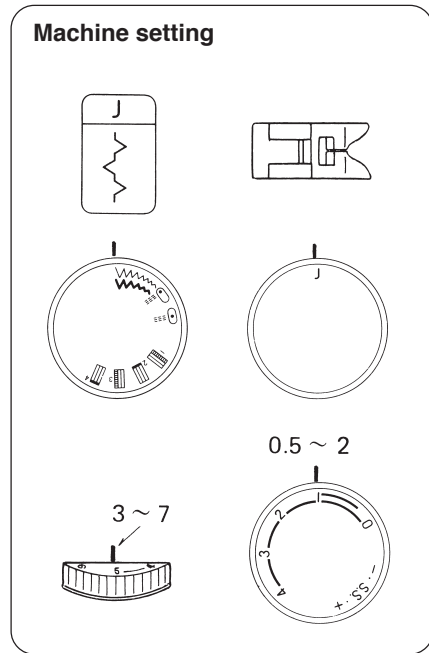


Lower the hemmer foot, then sew by lifting up the edge of the fabric to keep it feeding smoothly and evenly.



Trim about 0.7 cm (1/4") from corners as illustrated, to reduce bulk.

Fagoting Stitch

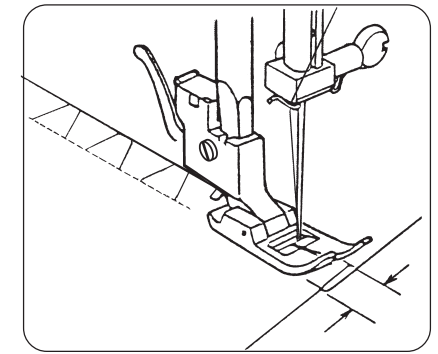
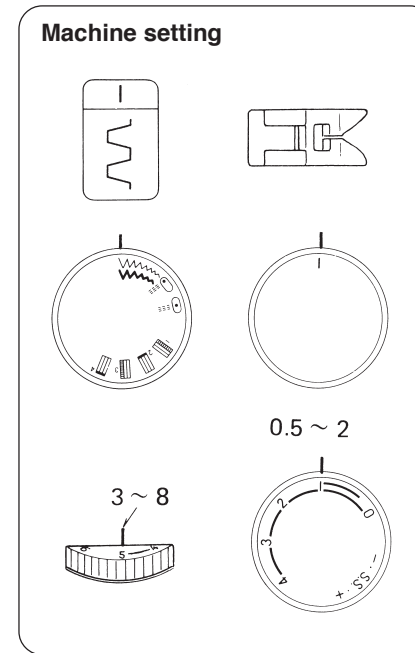


Fold under 1.5 cm (1/2") on each fabric edge and press.
 Pin the two edges to paper 0.3 cm (1/8") apart.
 Sew slowly guiding the fabric so the needle catches the folded edge on each side.

The Stitch and Its Uses

Use this stitch to joint two pieces of fabric to create an open work appearance and add design interest.

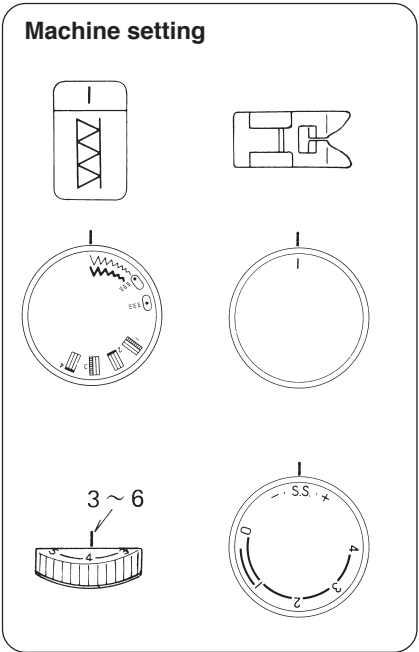
Box Stitching



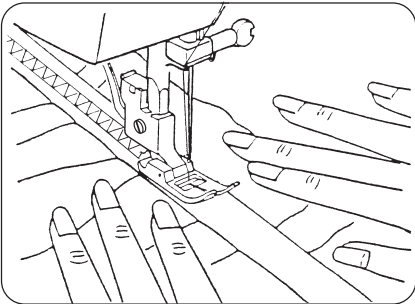
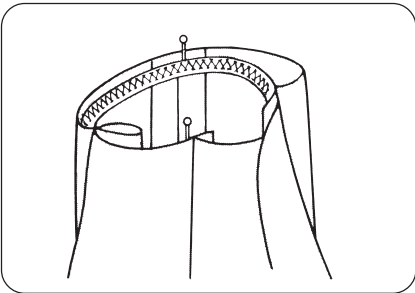
Use this stitch to joint heavy weight interlining.
 Overlap two raw edges together and use this stitch to join them.

DECORATIVE STITCHING

Elastic Stretch Stitch



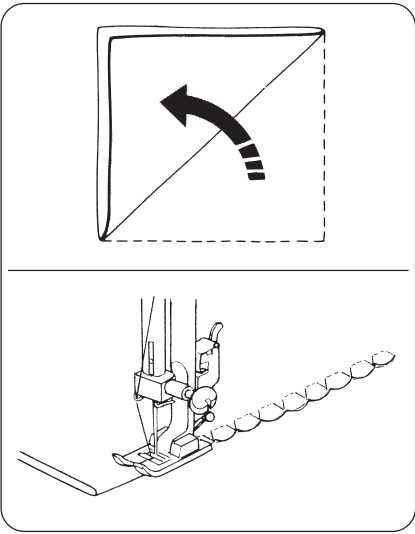
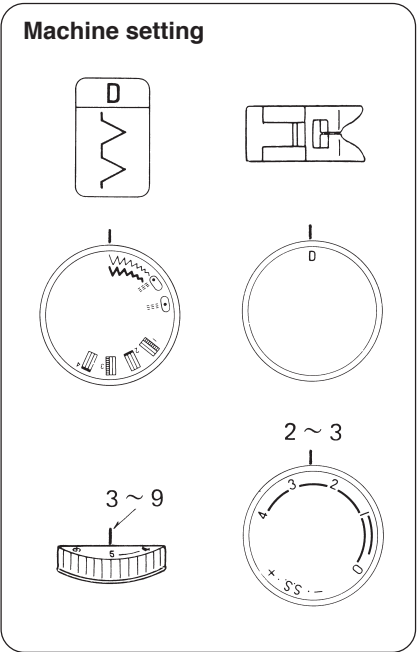
Choose this stitch to attach elastic to garments.



Mark the elastic into quarters and match these to the center front, center back and side seams.

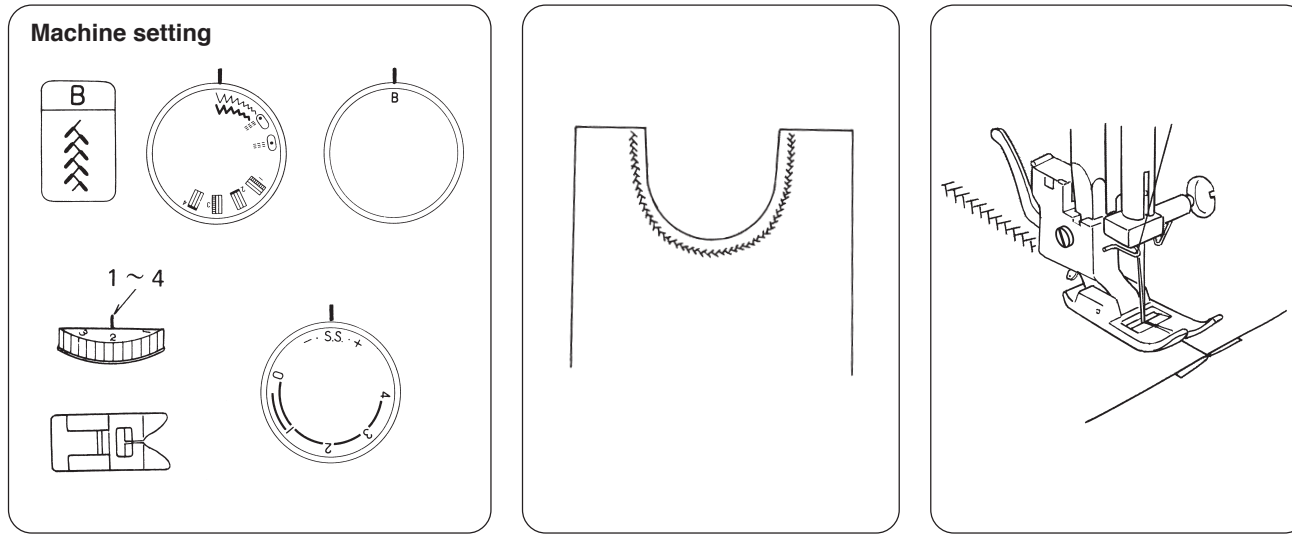
Place the middle of the elastic under the center of the presser foot and stitch into place, making sure the elastic is evenly distributed.

Shell Tuck



Place the folded edge along the slot of foot.
The needle should fall off the edge of the fabric on the right forming a tuck.

Feather Stitch

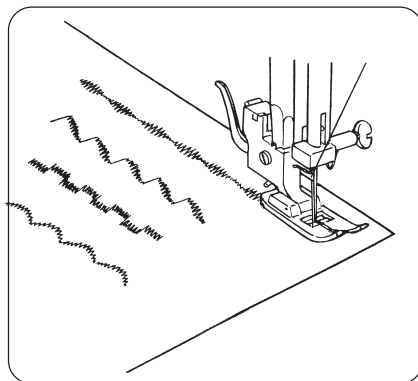
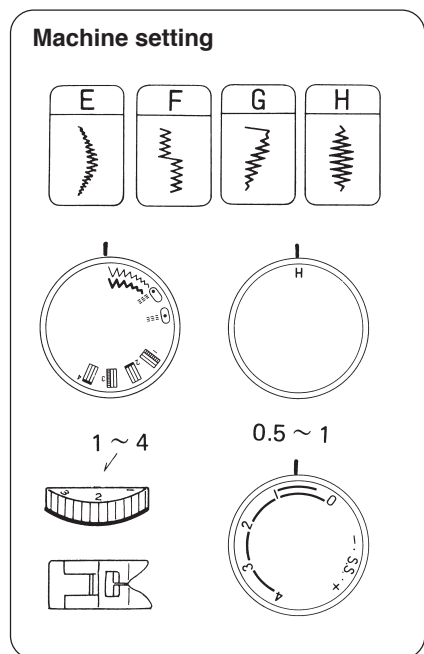


When sewn over a seam the feather stitch reinforces stretch and woven fabrics with a strong decorative stitch. It can be used to sew spandex undergarments or decoratively hem elastic fabric.

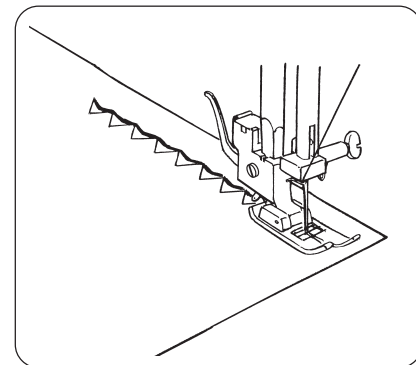
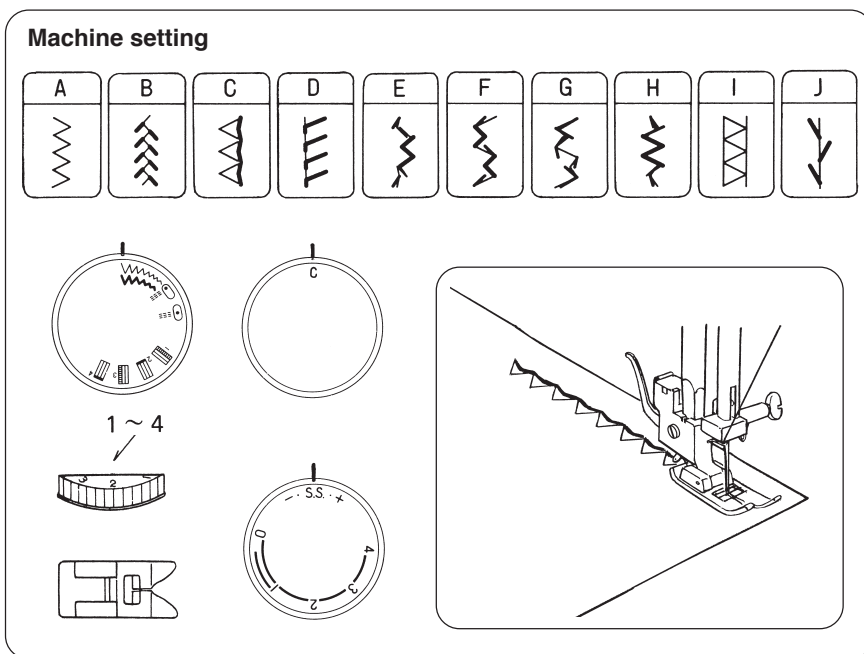
Another common use for the feather stitch is patchwork quilting.

When you work with the feather stitch, you can sew the pattern on a seam that is already joined and pressed flat, or you can butt two edges and use just the feather stitch to join them.

Decorative Satin Stitch Patterns



Stretch Stitch Patterns



Sew a row of stitches and adjust the thread tension so the upper thread should appear on the reverse side of the fabric.

Test the stitch on the actual fabric for the best results.

When forward and reverse feeds become unbalanced depending upon the type of fabric, correct the balance by turning the stitch length dial as follows:

When patterns are compressed, correct it by turning the dial toward “+”.

When patterns are drawn out, correct it by turning the dial toward “-”.

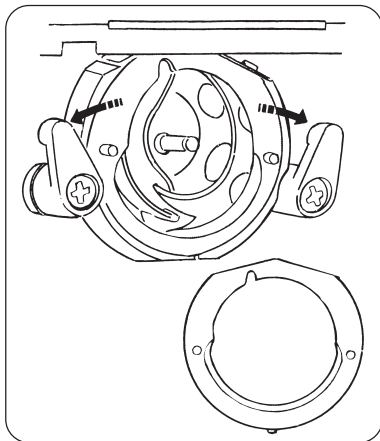
CARE OF YOUR MACHINE

Dismantling and Assembling Hook Race

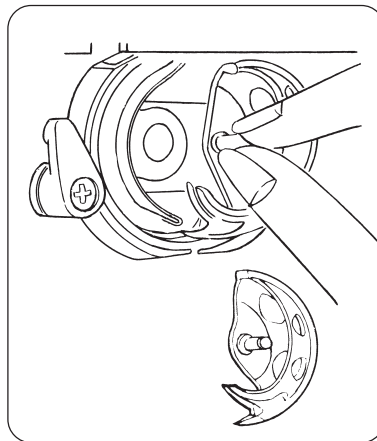


To dismantle hook race:

Turn the power switch off. Raise the needle to its highest position and open the hook cover or the slide plate. Open the hinged latch of bobbin case and take it out of the machine.

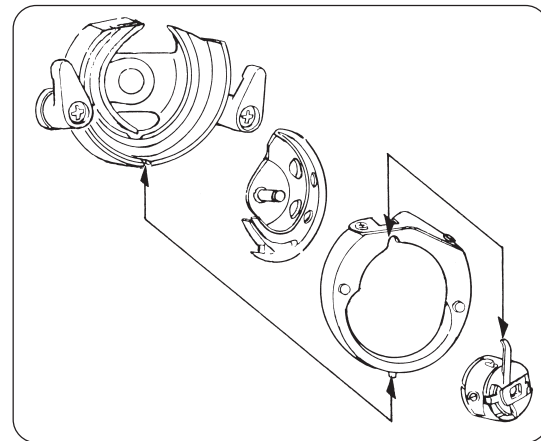


Open the hook race ring holders outside and remove the hook race ring.



Remove the hook.

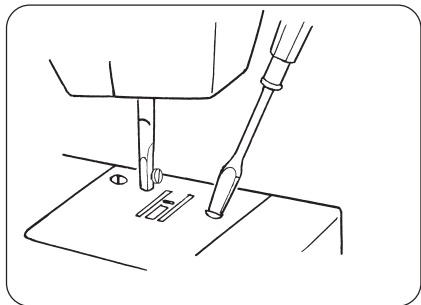
* Clean the hook race with a brush and a soft dry cloth.



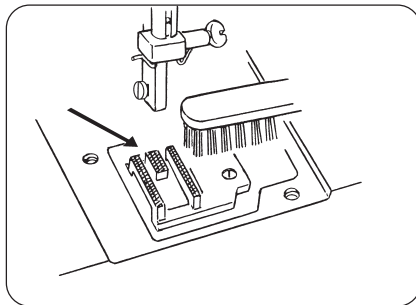
To assemble hook race:

Hold the hook by the center pin and fit carefully back into the hook race, forming perfect circle with the driver. Replace the hook race ring with the bottom pin fits into the notch. Lock the hook race ring by turning the holders back into position. Replace the bobbin case.

Cleaning the Feed Dogs



Turn the power switch off.
Remove the needle and the presser foot. Unscrew the needle plate setscrew with a screwdriver to take off the needle plate from the machine bed.

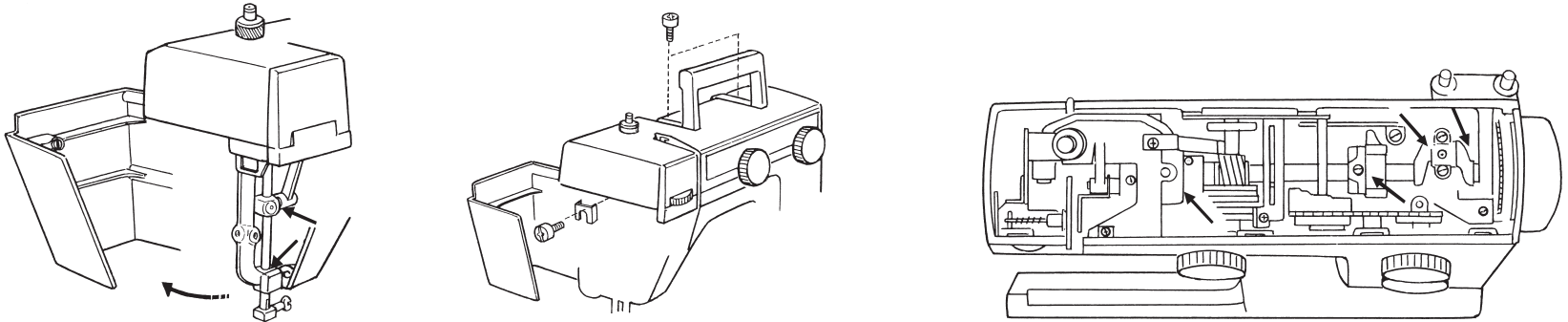


With a brush, clean out dust and lint clogged on the feed dog teeth.
Reset the needle plate.

NOTE:

After cleaning feed dog, apply a few drops of sewing machine oil without fail to the point as shown in the illustration.

Oiling the Machine



Turn the power switch off.

Open the face plate and lift the carrying handle.

Unscrew the 3 setscrews and remove the top plate.

Apply a few drops of fine quality sewing machine oil to the points indicated by the arrows in the figures.

For a machine in constant use, oil two or three times a year.

In case the machine does not work smoothly due to standing idle for sometime, apply a few drops of kerosene at the oiling points, and run the machine rapidly for a minute.

Before oiling, wipe off the oiling points.

Trouble Shooting

Condition	Cause	Reference
The machine does not run smoothly and is noisy	<ol style="list-style-type: none"> 1. Threads have been caught in hook mechanism. 2. The feed dog is packed with lint. 	<p>See Page 34 See Page 35</p>
The needle thread breaks.	<ol style="list-style-type: none"> 1. The needle thread is not threaded properly. 2. The needle thread tension is too tight. 3. The needle is bent or blunt. 4. The needle is incorrectly inserted. 5. The fabric is not being drawn to the back when sewing is finished. 6. The thread is either too heavy or too fine for the needle. 	<p>See Page 16 See Page 18 See Page 11 See Page 11 See Page 20 See Page 12</p>
The bobbin thread breaks.	<ol style="list-style-type: none"> 1. The bobbin thread is not threaded properly in the bobbin case. 2. Lint has collected in the bobbin case. 3. The bobbin is damaged and doesn't turn smoothly. 	<p>See Page 15 Clean the bobbin case. Exchange bobbin.</p>
The needle breaks.	<ol style="list-style-type: none"> 1. The needle is incorrectly inserted. 2. The needle is bent or brunt. 3. The needle clamp screw is loose. 4. The tension of the needle thread is too tight. 5. The fabric is not drawn to the back when sewing is finished. 6. The needle is too fine for the fabric being sewn. 7. The pattern selector dial has been turned while the needle was in the material. 	<p>See Page 11 See Page 11 See Page 11 See Page 18 See Page 20 See Page 12 See Page 19</p>
Skipped stitches	<ol style="list-style-type: none"> 1. The needle is incorrectly inserted. 2. The needle is bent or brunt. 3. The needle and/or threads are not suitable for the work being sewn. 4. A BLUE TIPPED needle is not being used for sewing stretch, very fine fabrics and synthetics. 5. The needle thread is not threaded properly. 6. The presser foot pressure is not strong enough. 	<p>See Page 11 See Page 11 See Page 12 See Page 12 See Page 16 See Page 8</p>

Condition	Cause	Reference
Seam Puckering	<ol style="list-style-type: none"> 1. The needle thread tension is too tight. 2. The machine is not threaded correctly. 3. The needle is too heavy for the cloth being sewn. 4. The stitches are too coarse for the fabric being sewn. 5. The presser foot pressure is not correctly adjusted. <p>* When sewing extremely light weight materials, place a sheet of paper underneath the fabric.</p>	<p>See Page 17 See Page 15 See Page 11 Make the stitches denser. See Page 7</p>
Stitches form loops below the work.	<ol style="list-style-type: none"> 1. The needle thread tension is too loose. 2. The needle is either too heavy or too fine for the thread. 	<p>See Page 17 See Page 11</p>
The cloth is not feeding smoothly.	<ol style="list-style-type: none"> 1. The feed dog is packed with lint. 2. The presser foot pressure is too weak. 3. The stitches are too fine. 4. The feed dog is not raised after “Drop feed” has been used. 	<p>See Page 35 See Page 7 Make the stitches coarser. See Page 8</p>
The machine does not work.	<ol style="list-style-type: none"> 1. The machine is not plugged in. 2. A thread is caught in the hook race. 3. Stop motion knob is disengaged for the bobbin winding. 	<p>See Page 4 See Page 34 See Page 13</p>
The buttonhole stitches are not balanced.	<ol style="list-style-type: none"> 1. The stitch length is not suitable for the fabric being sewn. 2. The work is being pulled or held back. 	<p>See Page 18 Do not force the fabric for guiding</p>

